



GET SYSTEM GUIDE



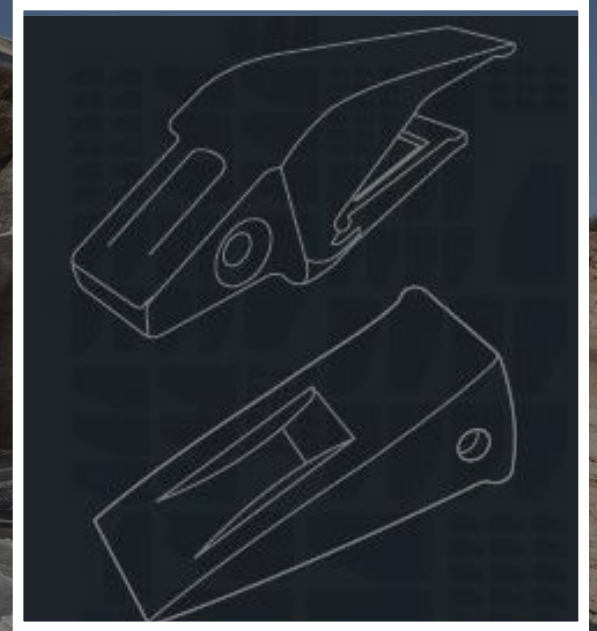
(+266) 62699479
(+266) 56116277



mojalefaphakisi@gmail.com

BUCKET TEETH & ADAPTERS

- VANGUARD SYSTEM
- CAT STYLE
- V SERIES
- CONICAL STYLE
- DAEWOO STYLE
- KEECH STYLE
- KOMATSU STYLE
- H&L STYLE
- HENSLEY STYLE
- HYUNDAI STYLE
- VOLVO STYLE
- JCB STYLE



Standard Teeth & Adapters





ADAPTERS
FC2713-1222D
FC2713-1237D

A(mm)	B(mm)	C(mm)	Weight (kg)	Series
54	210	171	7.9	130
93	185	271	29	460



Looking for a part to buy?
Need advice?
TALK TO OUR TEAM

STANDARD



FCE161-3027
FCE262-3046

A(mm)	B(mm)	C(mm)	D(mm)	Weight (kg)	Pin	Retainer
100	87	216	90	4	8E6353	2114-1884A
118	107	253	93	7	2705-9010	2114-1848A

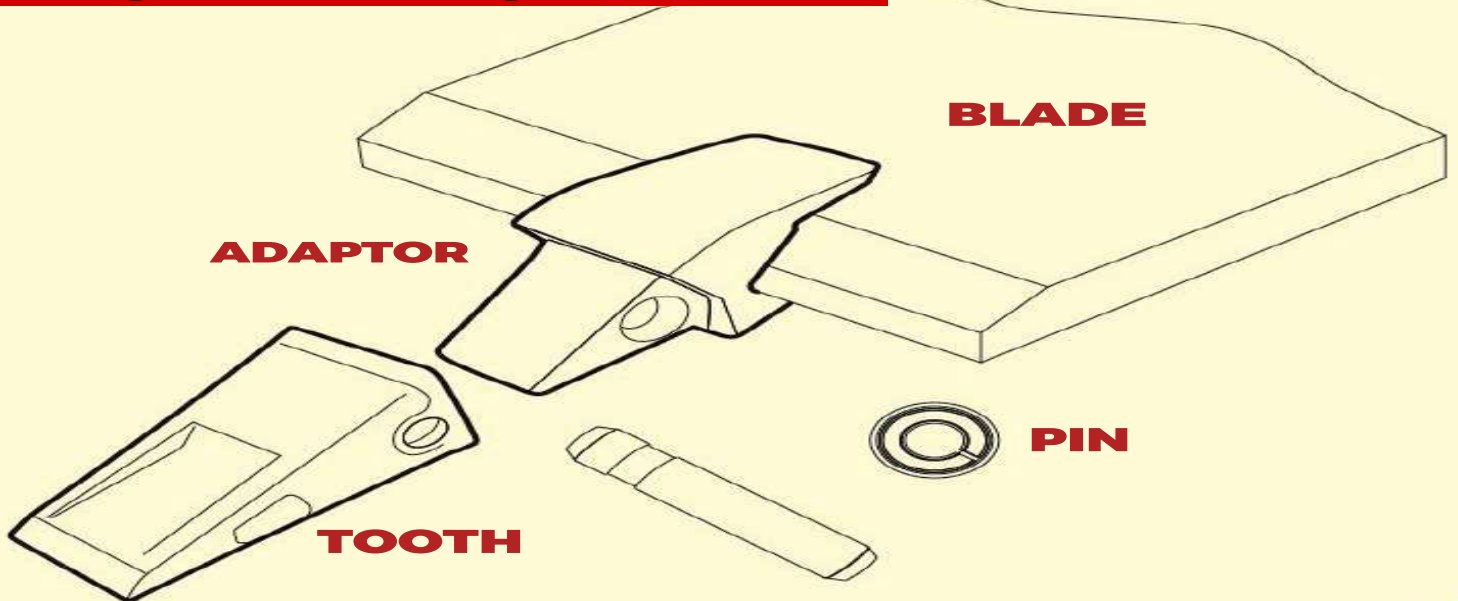
STANDARD



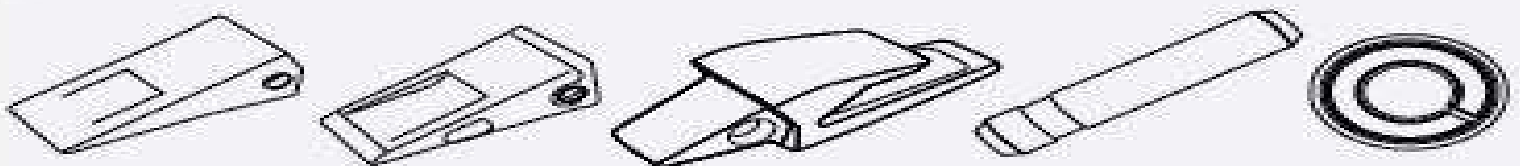
FC61N8-31310
FC61NB-31310

A(mm)	B(mm)	C(mm)	D(mm)	Weight (Kg)	Pin	Retainer
115	121	261	97	10	2705-9010	2114-1848A
136	142	343	131	22	8E0468	8E0468

Hyundai Style



Hyundai style incorporate a horizontal 2 piece pin and work to improve digging performance and retention.



ADAPTERS



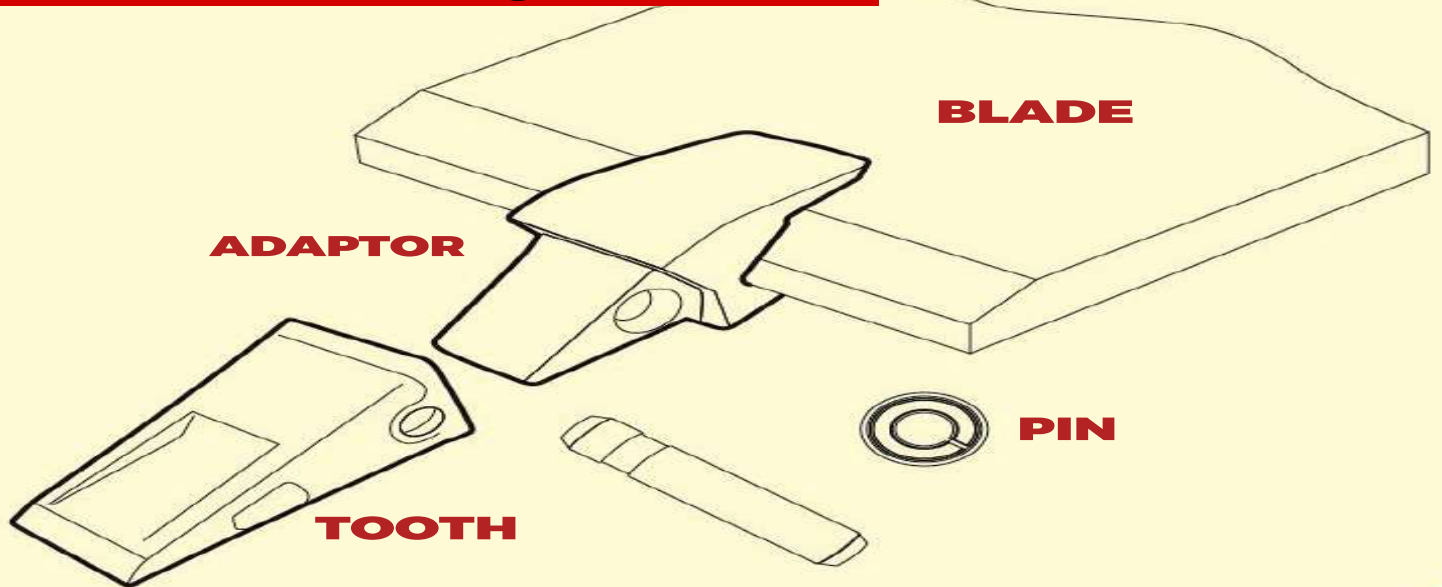
FHE161-3017
FC61N6-31320

A(mm)	B(mm)	C(mm)	Weight (kg)	Series
62	104	184	7.7	R200
	150	215	9.6	R290

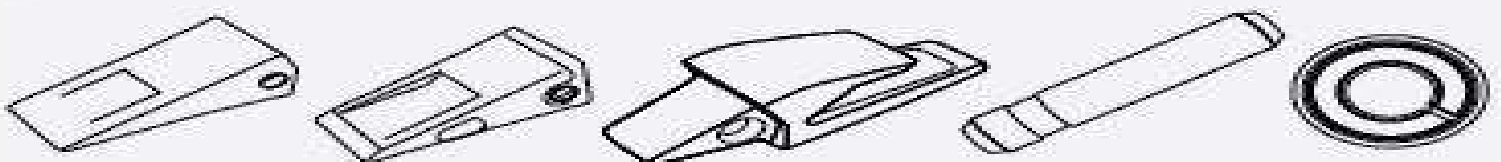
FASTENERS

A(mm)	B(mm)	C(mm)	Series	Pin	Retainer
19	108	34	E161-3027	FHBE6358C	FH2114-1848AD
19	116	34	E262-3046	FH2705-9010D	FH2114-1848AD
19	116	34	61N8-31310	FH2705-9010D	FH2114-1848AD
23	134	43	61N8-31310	FH8E0468C	FH8E0496C

Volvo Style



Volvo style bucket teeth ensure ease of installation and better performance while working. Design incorporates a horizontal 2 piece pin installation.



Volvo Style



STANDARD FCEC140 (Retainer 2114-1848A)

A(mm)	B(mm)	C(mm)	Weight (kg)	Series	Pin
82	93	21.7	4.1	EC140	8E6358

STANDARD FC1171(00480,00371,01910) LFV460

A(mm)	B(mm)	C(mm)	Weight (kg)	Series	Pin	Retainer
83	99	220	4.1			
94	113	255	8	EC290	FH8E6358C	FH2114-1848D
131	131	262	12.2		FH1171-01920	FH1171-01930
144	155	325	15.4	EC460		

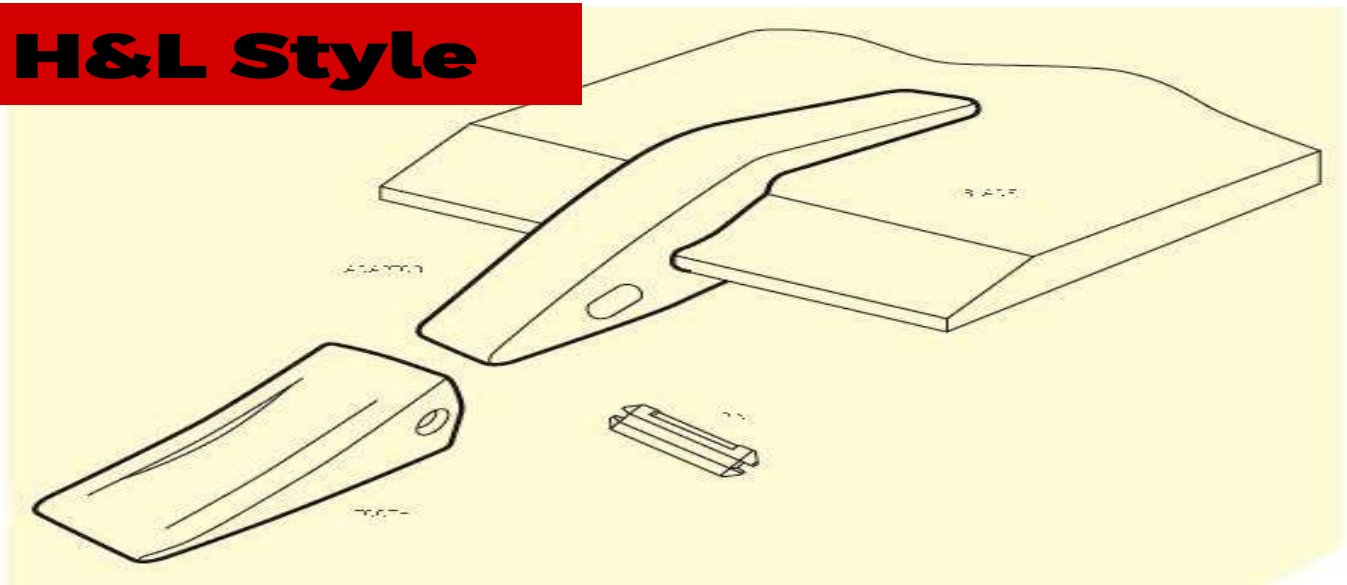
FASTENERS

A(mm)	B(mm)	C(mm)	Pin	Retainer
19	108	34	FH8E6358C	FH2114-1848AD
			FH1171-01920	FH1171-01620

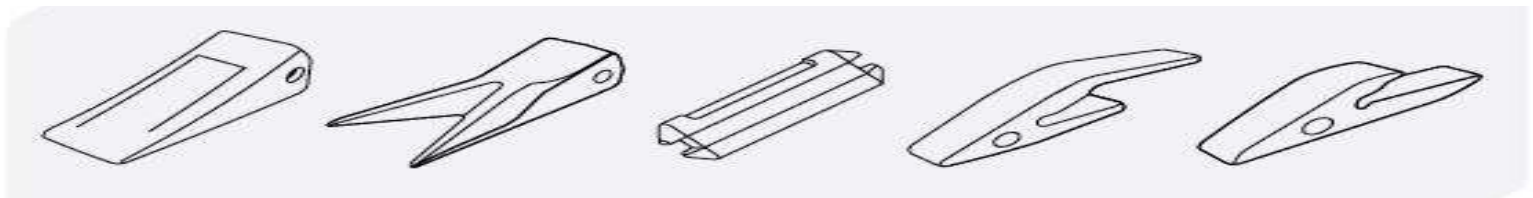
ADAPTERS

A(mm)	B(mm)	C(mm)	Weight (kg)	Series	Pin
55	111	177	6	Volvo	FC1171-0047/325
				Volvo	FC1171-01620

H&L Style



Suitable for smaller machinery, H&L tooth systems use a one piece horizontal metal pin with a strip of rubber through the middle. The rubber works to reduce vibration and enhance flexibility. These teeth offer outstanding performance and durability.



STANDARD

Two strap Adapter (834-23)
Inverted two strap Adapter (2740-23)
FCH23L
FCH24L
FCH25L

A(mm)	B(mm)	C(mm)	Weight (kg)	Series	Pin
54	63	142	1.2	23	H23-PN
60	75	184	1.9	23	H23-PN
				25	H25-PN

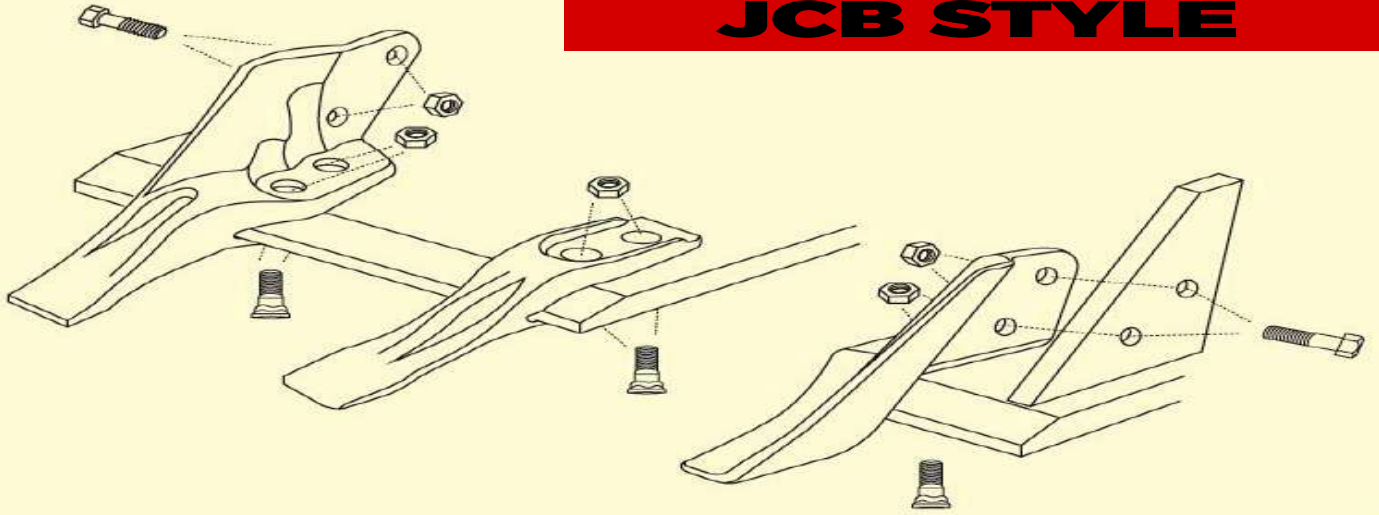


TWIN TIGER

Two strap Adapter (834-24)
Inverted two strap Adapter (2740-23)
FCH23-WTL

A(mm)	B(mm)	C(mm)	Weight (kg)	Series	Pin
54	63	142	1.1	23	H23-PN

JCB STYLE



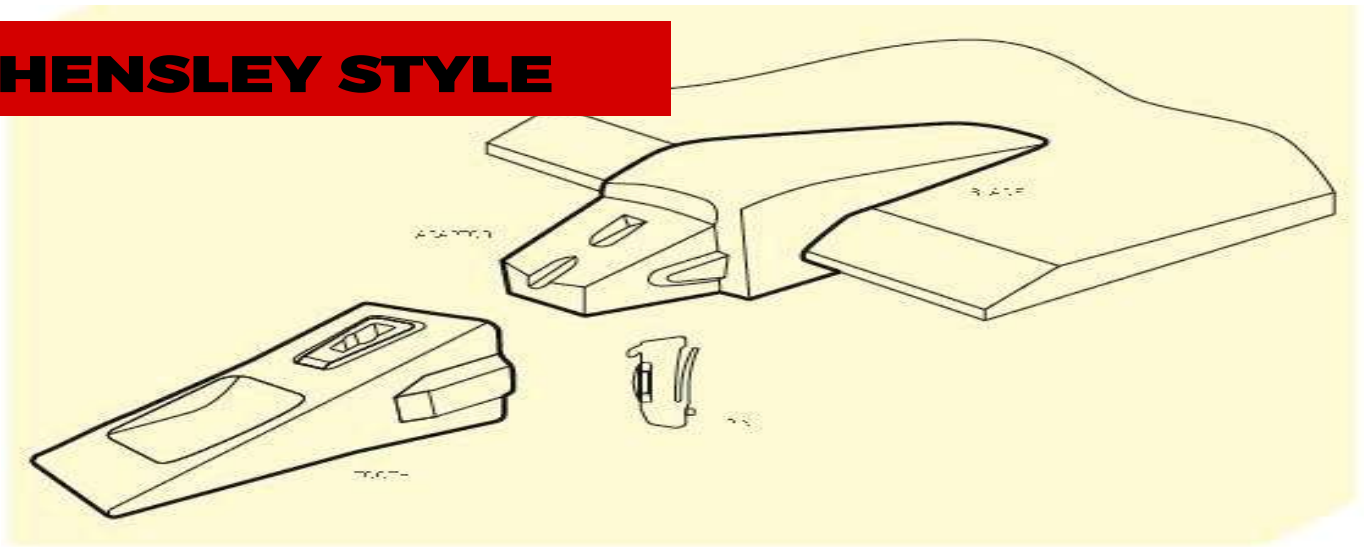
JCB style teeth for backhoe machines are bolted on to the machine. Suited generally only to JCB backhoe loaders, they will work in virtually any environment and get the job done.



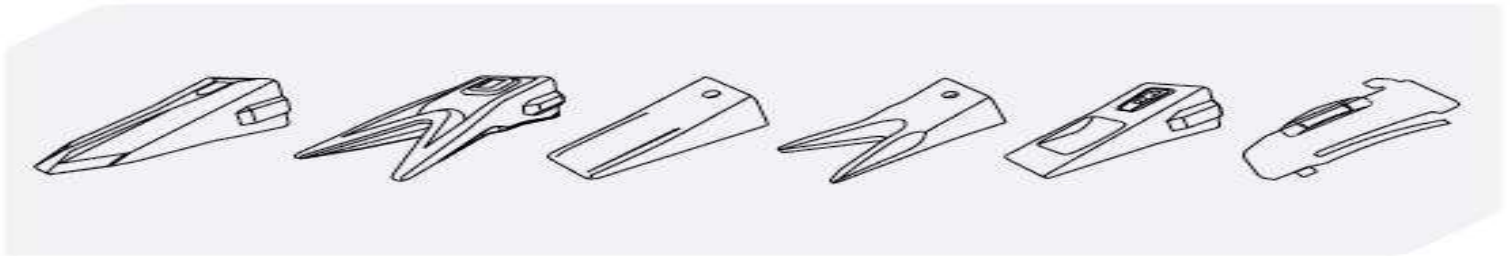
Hardware
Bolt Nut Washer

	A(mm)	B(mm)	C(mm)	D(mm)	Ø(mm)	Weight (kg)	Series
(L)	87.5	57	44.5	21	20.5	5.25	3CX
(C)	245	57	44.5	21	20.5	2.5	3CX
(R)	87.5	57	44.5	21	20.5	5.25	3CX

HENSLEY STYLE



Best known for its unique parabolic design, Hensley bucket teeth incorporates a vertical one piece pin. The curved-in design of the tooth matches the shaped extension of the adaptor to ensure a locking fit. Hensley teeth improve digging performance by absorbing impact loads and is easily installed onsite.



A(mm)	B(mm)	Fasteners	Series
54	19	FHH24-PN	23
58	22.5	FHH24-PN	24
70	22.5	FHH24-PH	25



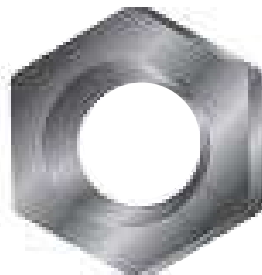
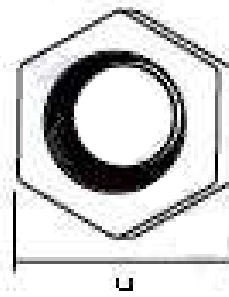
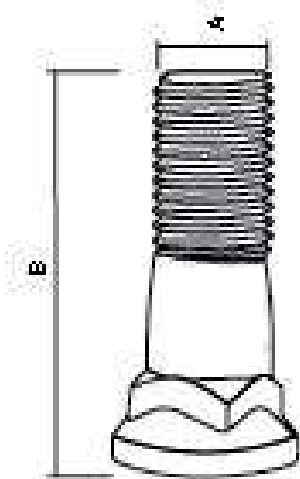
EXCAVATOR ADAPTER

Top Strap (FC2740-23-25)

A(mm)	B(mm)	Weight (kg)	Teeth	Series	Pin
193	23	1.7	H23L-FCH23-WTL	23	FHH23-PN

Bottom Strap (FC834-23)

A(mm)	B(mm)	Weight (kg)	Teeth	Series	Pin
193	23	1.7	H23L-FCH23-WTL	23	FHH23-PN



UNIVERSAL BOLT ON - TYPE 1

A(mm)	B(mm)	C(mm)	Weight (Kg)	Holes
180	48	40	0.9	13

UNIVERSAL BOLT ON - TYPE 2

A(mm)	B(mm)	C(mm)	Weight (Kg)	Holes
225	58	55-60	1.65	18

A	(")	B	(mm)	C	Series
3/4		23/4	28		3CX

Pb34234
Pn34



J SERIES

Rock Chisel

A(mm)	B(mm)	C(mm)	D(mm)	Weight (kg)	Series	Pin	Lock
					J200	FH8E6208C	FH8E6209C
					J225	FH6Y3228C	FH8E6259C
					J250	FH8E6258C	FH8E6259C
85	101	150	30	5.18	J300	FH9J2308C	FH8E6259C
95	105	280	35	7.9	J350	FH8E6358C	FH8E6359C
110	127	300	45	11	J400	FH7T3408C	FH8E8409C
					J450	FH6Y2527C	FH8E6359C
130	142	350	48	14.3	J460	FH8E0468C	FH8E0469C
150	150	390	50	23.3	J550	FH6Y8558C	FH8E4743C
190	160	480	75	39.5	J600	FH6I6608C	FH6I6609C
					J700	FH4T4708C	FH4T4708C



J SERIES

Twin Tiger

OEM PART NO	A(mm)	B(mm)	C(mm)	D(mm)	Weight (kg)	Series	Pin	Lock
135-8208	55	58	155	75	1.3	J200	FH8E6208C	FH8E6209C
135-8228	71	78	199	89	2.3	J225	FH6Y3228C	FH8E6259C
135-8258	79	90.5	215	90	2.6	J250	FH8E6258C	FH8E6259C
135-9308	85	104	242	105	4.4	J300	FH9J2308C	FH8E6259C
135-9357	100	108	287	122	6.2	J350	FH8E6358C	FH8E6359C
135-9408	115	129	320	141	11	J400	FH7T3408C	FH8E8409C
USE J460 TIPS						J450	FH6Y2527C	FH8E6359C
138-6458	133	134	354	158	13.4	J460	FH8E0468C	FH8E0469C
138-6558	154	148	377	183	16.6	J550	FH6Y8558C	FH8E4743C
135-9608	196	185	462	235	37	J600	FH6I6608C	FH6I6609C

J SERIES FASTENERS

A(mm)	B(mm)	C(mm)	Series	Pin	Retainer
11	61	22	J200	FH8E6208C	FH8E6209C
14	69	30	J225	FH6Y3228C	FH8E6259C
14	78	30	J250	FH8E6358C	FH8E6259C
14	92	30	J300	FH9J2308C	FH8E6259C
19	108	40	J350	FH8E6358C	FH8E6359C
22	119	42	J400	FH7T3408C	FH8E8409C
19	134	40	J450	FH6Y2527C	FH8E6359C
24	134	44	J460	FH8E0468C	FH8E0469C
25	162	53	J550	FH6Y8558C	FH8E4743C
30	195	59	J600	FH6I6608C	FH6I6609C
32	200	70	J700	FH4T4708C	FH4T4707C



J SERIES Weld-on flush mount adapters

(mm)				Blade	Weight	Center	Right	Left	Cnr	Machine Model	Series
A	B	C	D	Thickness	(kg)						
47	232	340	22	19-32	5.6	FC1U1254C	N/A	N/A	N/A	935, 951, 943, 941, 936, 930, 926, 920, 916, IT28, IT18	J250
56	235	355	22	25-38		FC1U1304C	N/A	N/A	N/A	966C, 963, 955, 950, 944	J300
65	285	425	22	32-45	8	FC1U1354C	FC1U1355C	FC1U1356C	N/A	980, 977, 973, 966D	J350
85	320	472	22	45-51	14.9	FC8E0464C	FC8E0465C	FC8E0466C	N/A	988, 983, 980, 973, 966D	J460
108	290	472	23	51-64	36.1	FC7J9554C	FC7J9555C	FC7J9556C	N/A	988, 992B, 992C	J550
N/A	N/A	N/A	35	70	N/A	FC1199604C	N/A	N/A	FC1199605C	992C, 992G, 992K, 993K	J600



J SERIES

Standard

OEM Part NO,	A(mm)	B(mm)	C(mm)	Weight	Series	Pin	Lock
9N-4252	76	93	202	3.9	J250	FH8E6258C	FH8E6259C
9N-4302	91	105	221	5.9	J300	FH9J2308C	FH8E6259C
9N-4352	100	117	255	8.8	J350	FH8E6358C	FH8E6359C
9N-4402	119	130	378	12	J400	FH7T3408C	FH8E8409C
USE J460 TIPS					J450	FH6Y2527C	FH8E6359C
9N-4452	134	141	316	16.37	J460	FH8E0468C	FH8E0469C
9N-4552	159	160	370	24.6	J550	FH6Y8558C	FH8E4743C
7Y-0602	195	189	410	40.8	J600	FH6I6608C	FH6I6609C
9U-9702					J700	FH4T4708C	FH4T4707C



J SERIES

Heavy Duty

OEM Part NO.	A(mm)	B(mm)	C(mm)	Weight (kg)	Series	Pin	Lock
1U-3202	61	64	145	1.3	J200	FH8E6208C	FH8E6209C
6Y-3222	61	74	168	2.8	J225	FH6Y3228C	FH8E6259C
1U-3252	73	89	198	3.8	J250	FH8E6258C	FH8E6259C
1U-3302	84	100	215	4.4	J300	FH9J2308C	FH8E6259C
1U-3352	100	108	240	7.9	J350	FH8E6358C	FH8E6359C
7T-3402	116	124	263	9	J400	FH7T3408C	FH8E8409C
USE J460 TIPS					J450	FH6Y2525C	FH8E6359C
9W-8452	124	130	293	12.3	J460	FH8E0468C	FH8E0469C
9W-8552	146	148	338	19	J550	FH6Y8558C	FH8E4743C
6I-6602	180	190	410	30.4	J600	FH6I6608C	FH6I6609C
4T-4702	180	200	415	37.3	J700	FH4T4708C	FH4T4707C



J SERIES

Heavy Duty Abrasion

OEM Part NO.	A(mm)	B(mm)	C(mm)	D(mm)	Weight (kg)	Series	Pin	Lock
9N-4253	75	86	194	83	4.6	J250	FH8E6258C	FH8E6259C
9N-4305	84	102	226	107	7.68	J300	FH9J2308C	FH8E6259C
9N-4353	102	115	254	122	11.8	J350	FH8E6358C	FH8E6359C
7T-3403						J400	FH7T3408C	FH8E8409C
						J450	FH6Y2527C	FH8E6359C
						USE J460 TIPS		
9N-4453	133	142	310	166	21.8	J460	FH8E0468C	FH8E0469C
6Y-2553	160	160	346	190	31.2	J550	FH6Y8558C	FH8E4743C
6I-6603	197	205	413	228	55.6	J600	FH6I6608C	FH6I6609C
4T-4703						J700	FH4T4708C	FH4T4707C



J SERIES

Penetration

Fortus Part NO.	OEM Part NO.	A(mm)	B(mm)	C(mm)	D(mm)	Weight (kg)	Series	Pin	Lock
FC9W8452PTC	9W-8452PT	130	145	358	70	20	J460	FH8E0468C	FH8E0469C
FC6I6602RP2C	-	198	192	450	100	49.7	J600	FH6I6608C	FH6I6609C
FC4T4702RP2C	-	213	213	492	108	65	J700	FH4T4708C	FH4T4707C

WEAR PROTECTION

- HEEL BLOCKS
- SHROUDS
- GROUSER BARS
- SIDE CUTTERS
- CHOCKY BARS
- WEAR BUTTONS
- WEAR PLATES
- WEAR STRIPS



Wear Protection



HEEL BLOCKS



TYPE 1						Weight (kg)
A(mm)	B(mm)	C(mm)	D(mm)	E(mm)	F(mm)	
175	140	175	135	30	110	10.5
230	190	230	185	35	130	20

OEM Part NO.	TYPE 2						Weight (kg)
	A(mm)	B(mm)	C(mm)	D(mm)	E(mm)	F(mm)	
ES6697-2	250	188	150	200	50	166	21
ES6697-3	200	188	100	150	38	178	13
ES6697-4	175	188	150	135	32	178	16
ES6697-5	300	250	200	235	50	220	40
ES6697-7	355	250	244	235	100	235	82

TYPE 3						Weight (kg)
A(mm)	B(mm)	C(mm)	D(mm)	E(mm)	F(mm)	
140	140	140	120	35	120	5.8

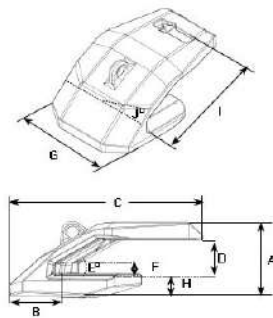
OEM Part NO.	TYPE 4						Weight (kg)
	A(mm)	B(mm)	C(mm)	D(mm)	E(mm)	F(mm)	
1386551M-205	220	200	170	190	30	130	18.5

TYPE 5						Weight (kg)
A(mm)	B(mm)	C(mm)	D(mm)	E(mm)	F(mm)	
262	190	195	190	82.7	169	33

LIP SHROUDS

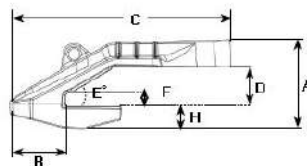
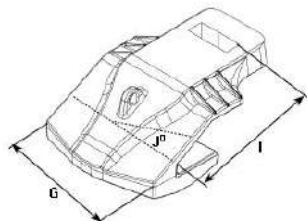


Size Lip	D(mm)	A(deg)	P(mm)	Length(mm)	Weight (kg)
30-50mm	93	26°	12	800	48
50-80mm	60	25°	27	800	58
70-100mm	86	32°	44	800	103



LIP SHROUDS - 90MM

Type	A(mm)	B(mm)	C(mm)	D(mm)	E(deg)	F(mm)	G(mm)	H(mm)	I(mm)	J(deg)	Boss/ Pin	Weight (kg)
Ctr	199	127	486	91	30	23	320	60	272	/	FAB/FAP	72
Left	200	131	508	91	30	23	320	62	272	14	FAB/FAP	70
Right	200	131	508	91	30	23	320	62	272	14	FAB/FAP	70



LIP SHROUDS - 100MM

Part NO.	Type	A(mm)	B(mm)	C(mm)	D(mm)	E(deg)	F(mm)	G(mm)	H(mm)	I(mm)	J(deg)	Boss/ Pin	Weight (kg)
FLEB100X410-3	Ctr	233	144	585	101	30	26	410	60	360	/	FBB/FBP	111
FLEB100X410-4L	Left	229	142	589	101	30	26	410	65	360	10	FBB/FBP	110
FLEB100X410-4R	Right	229	142	589	101	30	26	410	65	360	10	FBB/FBP	110



LIP SHROUDS - 120MM

Type	A(mm)	B(mm)	C(mm)	D(mm)	E(deg)	F(mm)	G(mm)	H(mm)	I(mm)	J(deg)	Boss/ Pin	Weight (kg)
Ctr	247	164	607	121	30	41	440	62	358	/	FBB/FBP	121
Left	242	163	611	121	30	41	440	63	358	11.5	FBB/FBP	120
Right	242	163	611	121	30	41	440	63	358	11.5	FBB/FBP	120



LIP SHROUDS - 140MM

Type	A(mm)	B(mm)	C(mm)	D(mm)	E(deg)	F(mm)	G(mm)	H(mm)	I(mm)	J(deg)	Boss/ Pin	Weight (kg)
Ctr	269	172	685	141	30	46	420	60	415	/	FBB/FBP	145
Left	268	173	690	141	30	46	420	61	415	11.5	FBB/FBP	147
Right	268	173	690	141	30	46	420	61	415	11.5	FBB/FBP	147

SIDE CUTTERS



Stock Code	NO. Holes	Weight (kg)	Type	Machine Size (Ton)	LH/RH	Original Design By
FCE72959	2	5	Type 1	20	Both	Esco
FC3-6SCR	3	1.6	Type 2	3-6	R	ECH
A500LH	3	2.8	Type 3		L	Hyundai
A500RH	3	2.8	Type 3		R	Hyundai
FCZX705CL	3	7.7	Type 4	7	L	Hitachi
FCZX705CR	3	7.6	Type 4	7	R	Hitachi
FC7Y0357	3	19	Type 5	30		CAT
FC7Y0358	3	19	Type 5	30		CAT
FCE7295BL	4	9	Type 6	30-40	L	Esco
FCE7295BR	4	9	Type 6	30-40	R	Esco
FCMX85CL	5	12	Type 7	25	L	Hyundai
FCMX85CR	5	12	Type 7	25	R	Hyundai
EX200L	6	13.7	Type 8	20	L	Hitachi
EX200R	6	13.7	Type 8	20	R	Hitachi
EX300L	6	18.3	Type 9	30	L	Hitachi
EX300R	6	18.3	Type 9	30	R	Hitachi

CHOCKY BARS



A(mm)	B(mm)	C(mm)	D(mm)	E(mm)	Weight (kg)
240	25	15	8	23	0.9
240	40	15	8	23	1.5
240	50	15	8	23	2
240	65	15	8	23	2.7
240	90	15	8	23	3.6
240	100	15	8	23	4.2
240	130	15	8	23	5.7

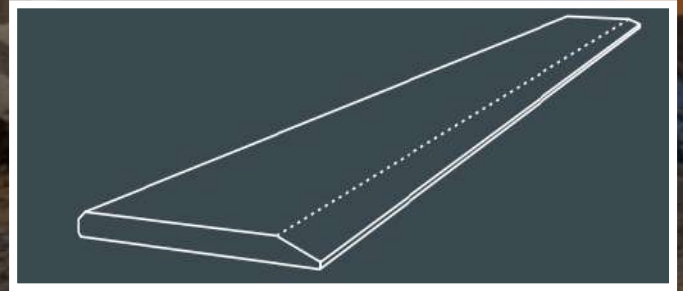
WEAR BUTTONS



A(mm)	B(mm)	C(mm)	D(mm)	Weight (kg)
60	40	20	9.5	1
75	25	15.5	9.5	1
90	30	20.5	9.5	1
115	32	22.5	9.5	3
150	35	25	9.5	5

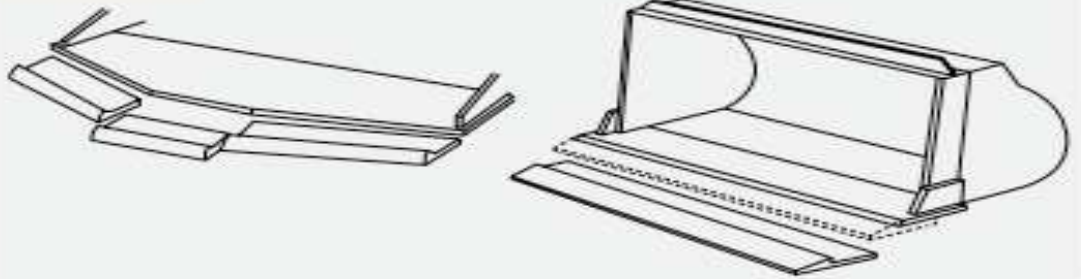
CUTTING BLADES

- Universal blades
- Grader Blades
- Loader Blades
- Doser Blades
- Scraper Blades



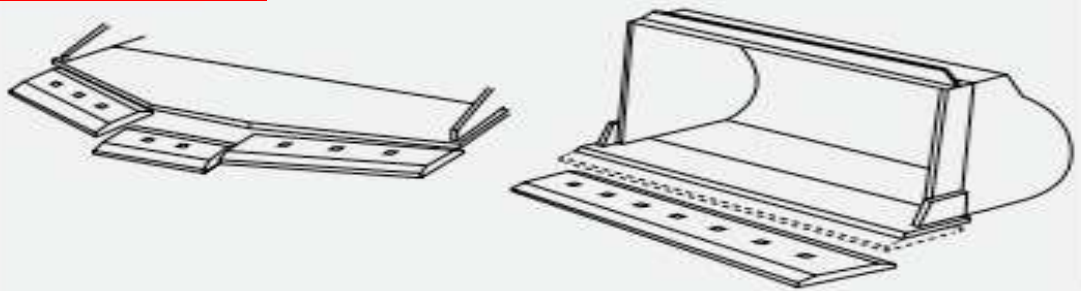
ARROWHEAD

Arrowhead cutting blades are welded straight on to the bucket and apply extra protection to the bucket lip. Harder wearing, through hardened steel is used for harsher conditions.



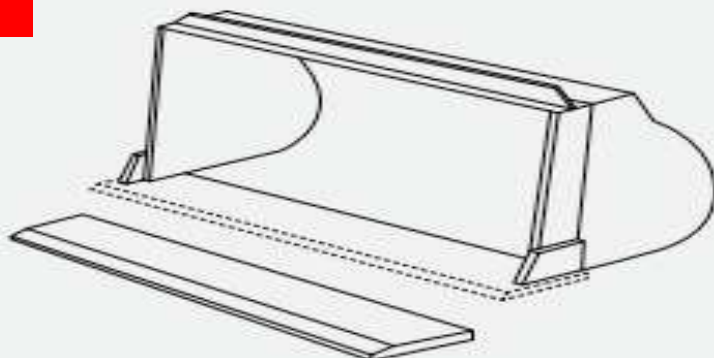
DOUBLE BEVEL

Precision cutting blades that are reverse edged to provide double the amount of wear protection. 6 inch hole centers.

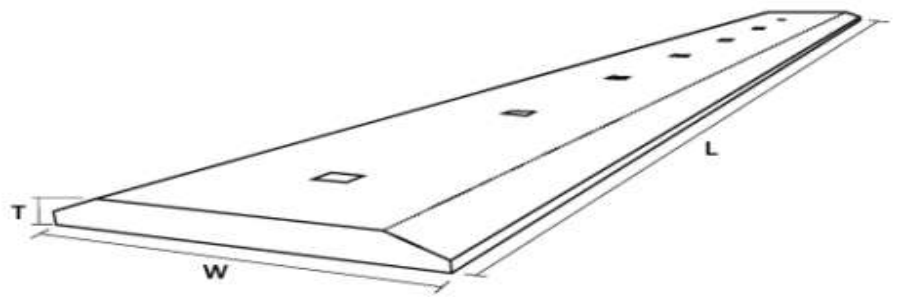
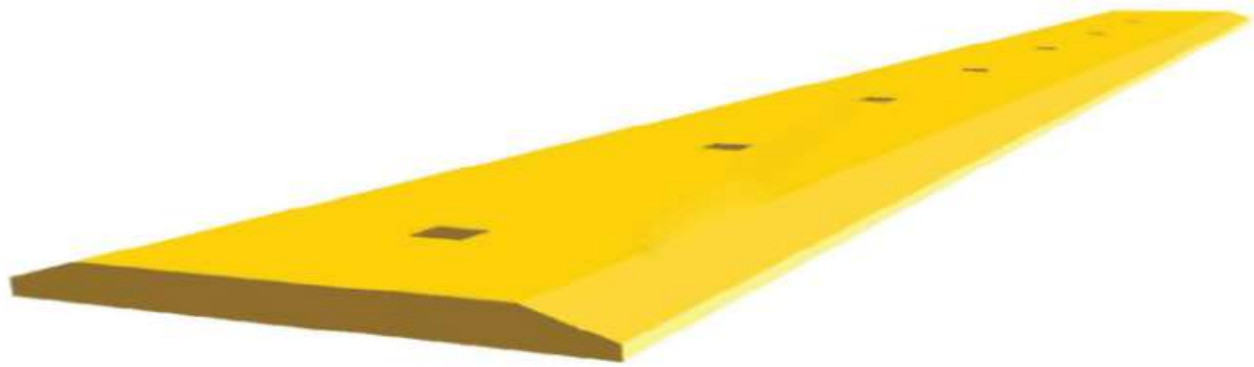


SINGLE BEVEL

Ideal for bucket lip replacement and produced with through hardened steel. Available as pre-drilled base edge.

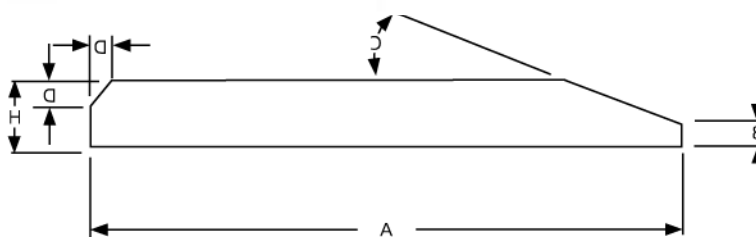


Universal Double Bevel Bolt-on



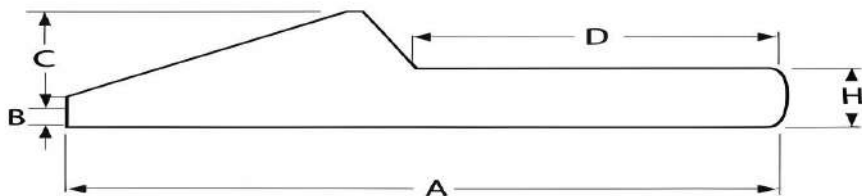
W(mm)	T(mm)	L(mm)	Weight (kg)	Hardware			Bolt Size(")	Bolt Qty
				Bolt	Nut	Washers		
152	16	1830	30.5	PB58214	PN58	PW58	5/8	12
152	16	2133	41.6	PB58214	PN58	PW58	5/8	14
152	16	2438	45	PB58214	PN58	PW58	5/8	16
152	16	2438	55.7	PB58212	PN58	PW58	5/8	16
203	19	1830	47.4	PB58214	PN58	PW58	5/8	12
203	19	2438	72	PB58212	PN58	PW58	5/8	16
203	19	3048	93	PB58212	PN58	PW58	5/8	20
203	19	2133	64	PB34212	PN34	PW34	3/4	14
203	19	2438	72	PB34212	PN34	PW34	3/4	16
203	19	3048	89.7	PB34234	PN34	PW34	3/4	20
203	19	3048	120	PB34318	PN34	PW34	3/4	20
254	25	3048	141.4	PB34212	PN34	PW34	3/4	20
254	25	3048	141	PN78312	PN78	PW78	7/8	20
254	25	3048	141	PB1312	PN10	PW10	1	20
330	32	3100	223.5	PB1312	PN10	PW10	1	20
254	25	2438	113.13	PB34212	PN34	PW34	3/4	16
254	19	2438	79	PB34212	PN34	PW34	3/4	16

Universal Single Bevel Cutting Edge



W(mm)	T(mm)	L(mm)	Weight (kg)
110	12	1830	19.3
110	16	1830	23.9
150	16	1900	36
150	16	2440	46
150	20	1830	39.7
150	20	2100	45.5
150	20	2440	58.6
200	20	2440	78
200	20	3048	90.2
250	25	3048	152.4
300	30	3048	219.5
300	40	3048	270

Universal Half-Arrow Cutting Edge



A(mm)	B(mm)	C(mm)	D(mm)	Length (mm)	Weight (kg)
101	20	10	46	1830	17
101	20	10	46	3048	28
151	32	16	68	3048	62
151	32	16	68	1830	38
203	32	19	127	3048	95
254	57	29	127	3048	200
254	70	40	127	3650	321



mojalefaphakisi@gmail.com



(+266) 62699479

(+266) 56116277

**Contact us or
visit our office to
get access to our
parts, pricing,
inventory and
complete your
orders**



**HA-ABIA
PELA BIG HOUSE**

WB

Weld-Brau



“Built to penetrate, welded to last”